



J300Q 6G SAS-SAS 3U16 High Availability JBOD Systems



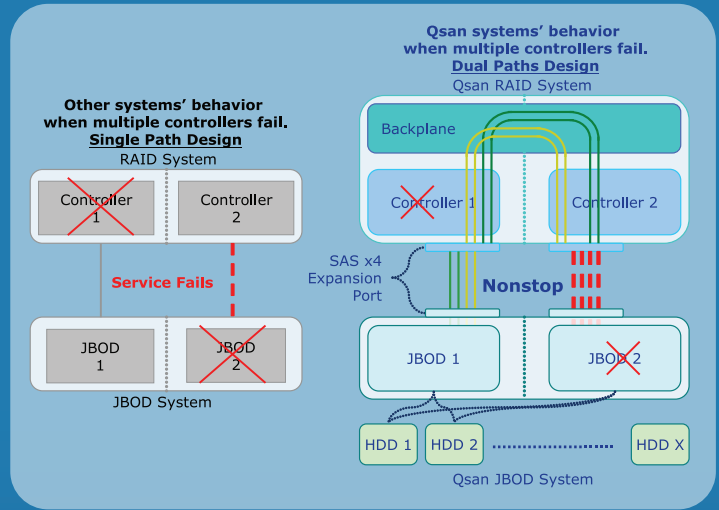
Qsan's storage systems are designed for high availability, non-stop services, applications demanding high throughput, and flexible storage planning with cost effectiveness for small and medium businesses.

Highlights

1. Fully redundant & hot pluggable designs: JBOD controllers, power supplies, fan modules, & JBOD expansion
2. Online FW upgrade, no system down time
3. Green storage designs: auto disk spin down, advanced cooling mechanism, & 80 PLUS energy-efficient power supplies
4. High connection availability: load balancing & failover
5. 1 x 6G SAS (miniSAS SFF8088) host wide port per controller
6. 1 x 6G SAS (miniSAS SFF8088) JBOD expansion wide port per controller
7. 3G SAS & SATA II drive backward-compatible

High Availability

J300Q 6G SAS-SAS JBOD system is specially designed for high availability applications. The J300Q is well equipped with fully redundant components for all major functions, including redundant JBOD controllers, power supplies, fan modules, and SAS JBOD expansion ports. Being hot pluggable, all of them provide non-stop services. Distinct from others, J300Q is able to upgrade firmware without system down time. And in case of multiple hardware failures as shown below, Qsan's design of dual paths between Qsan RAID systems and JBOD systems will still provide services; while other vendors will not be able to provide any service.



Green

All J300Q systems are equipped with Qsan's default green features for power saving. In most cases, the hard drives consume most power. With the auto disk spin down feature and proper configuration (with Qsan Q Series High Availability RAID Systems), the power consumption of hard drives can be reduced to a minimum, and users will not even notice this feature. J300Q monitors the environment temperature for cooling mechanism and the fan modules respond accordingly. The power supply modules are all 80 PLUS power efficient for better power converting rate. In virtue of the reduction of hard drive power consumption, the advanced cooling mechanism, and the energy-efficient power supplies, the unnecessary power cost is decreased greatly.

Ordering Information

Controller Configuration

J300Q-D316	Dual controllers
J300Q-C316	Single controller*

Optional Components

QJSATA board	SATAII drives support
--------------	-----------------------

* The specific functions of dual controller are not available in J300Q-C316.

J300Q-D316

J300Q-C316

J300Q-D316

J300Q-C316

Hardware Components

	J300Q-D316	J300Q-C316
JBOD Controller	Dual controllers	Single controller
No. of Host Channels Per Controller	1 x 6G SAS	1 x 6G SAS
Expansion Enclosure	J300Q series	J300Q series
No. of Hard Drives (SAS & SATA II)	16	16
Power Supply	2 x 500W	2 x 500W
Fan	2	2
Dimensions	3U 19" Rackmount 446.0mm x 499.5mm x 130.0mm (W x D x H)	

Requirements

AC Input	100-240V ~ 7A-4A 500W with PFC (Auto Switching)
DC Output	3.3V-25A; 5V-32A; 12V-40A
Operating Temperature	0 to 40°C
Relative Humidity	5% to 95% non-condensing

Feature Highlights

Green	Auto disk spin down Advanced cooling mechanism 80 PLUS energy-efficient power supplies
High Availability	Dual-active JBOD controllers Online firmware upgrade, no system down time Multi-path & load-balancing support
Management	LCM; S.E.S.
OS Support	Windows; Linux; Solaris; Mac
Warranty	3-year warranty for system



QSAN Technology, Inc.

Tel: +86-2-7720-2118

Email: sales @ Qsan.com.tw Website: www.QsanTechnology.com

Copyright © 2004 - 2010 Qsan Technology, Inc. All Rights Reserved.

* Any information provided here is subject to change without prior notice.

* All other trademarks mentioned herein are the property of their respective companies.